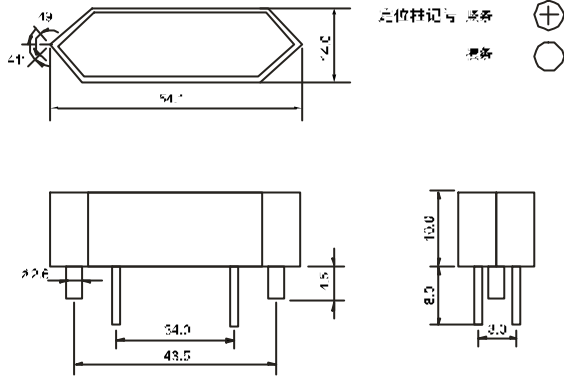


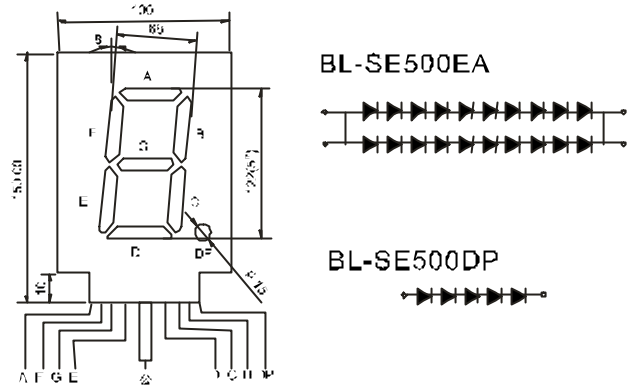
LED Component

BIG SEGMENT DISPLAY

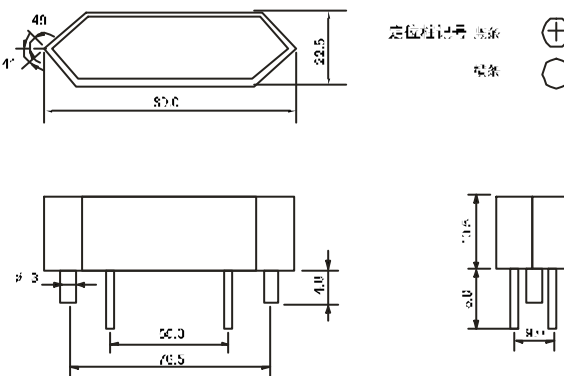
BL-SE500 Series



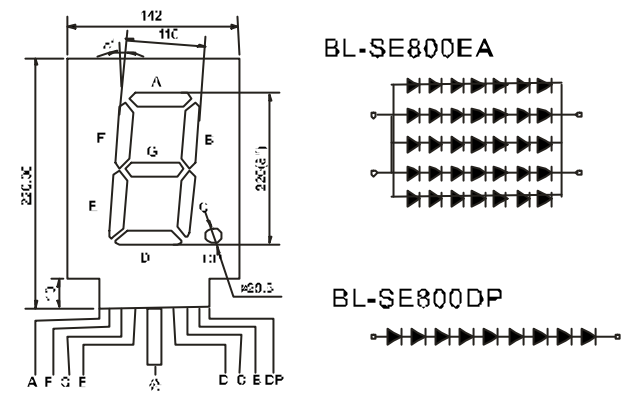
ASSEMBLY BOARD



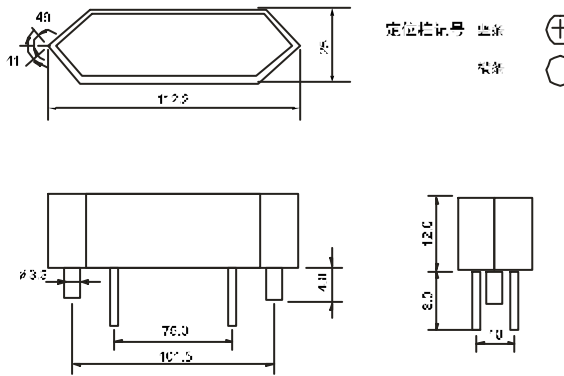
BL-SE800 Series



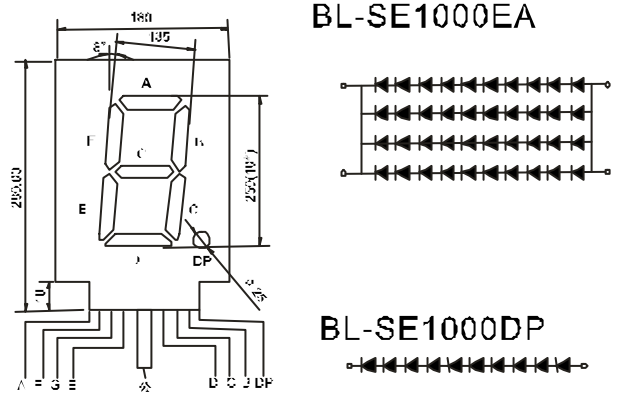
ASSEMBLY BOARD



BL-SE1000 Series



ASSEMBLY BOARD

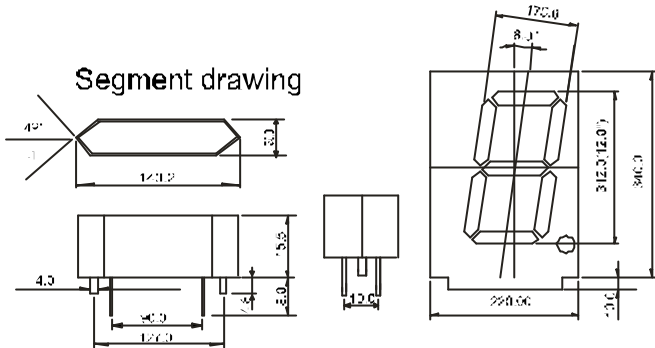


All dimensions are in millimeters (inches)
Tolerance is $\pm 0.25(0.01)$ unless otherwise noted.
Specifications are subject to change without notice.

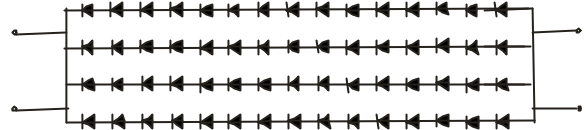
LED Component

BIG SEGMENT DISPLAY

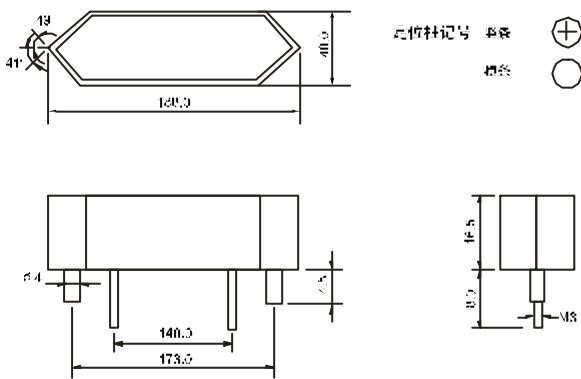
BL-SE1200 Series



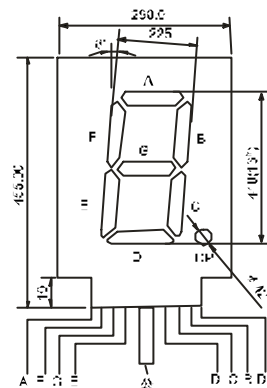
BL-SE1200EA



BL-SE1600 Series



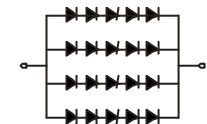
ASSEMBLY BOARD



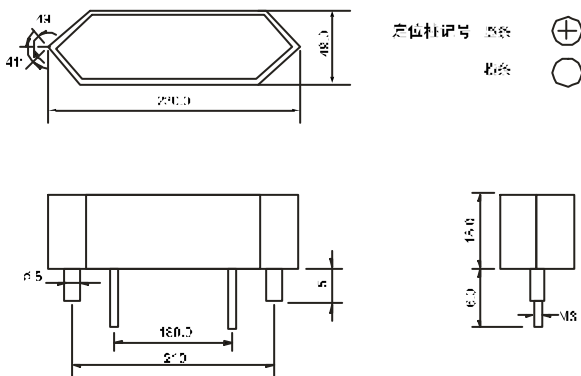
BL-SE1600EA



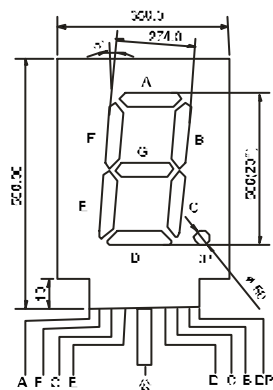
BL-SE1600DP



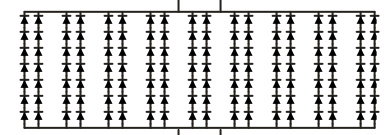
BL-SE2000 Series



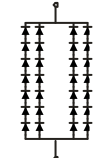
ASSEMBLY BOARD



BL-SE2000EA



BL-SE2000DP



All dimensions are in millimeters (inches)
Tolerance is ± 0.25(0.01") unless otherwise noted.
Specifications are subject to change without notice.